



**Shenzhen HJR Electronics Technology Co., LTD**

## Declaration of Conformity

**1.Product Name:** Particulate Respirators FFP3 NR

Model number: HJR-CN99-06

**2.Manufacturer:**

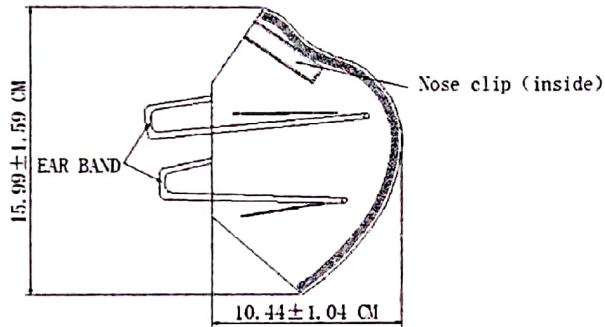
Name: Shenzhen HJR Electronics Technology Co., LTD

Address: 5 / F, building A3, Xinjian Xing science and Technology Industrial Park, No. 3333, GuangQiao Avenue, Gong Ming street, Guang Ming New District, Shenzhen City, Guangdong Province

**3.Statement:**

We declare that the Particulate Respirators FFP3 is in the compliance with the Personal Protective Equipment Regulation (EU)2016/425, The EU declaration of conformity is issued under the sole responsibility of Shenzhen HJR Electronics Technology Co., LTD

**4.Object of the declaration:**



**5.Standard Applied:**

Technical specification to satisfy Annex V of the PPE Regulation (EU)2016/425

**6. Notified Body:**

Name: UNIVERSAL CERTIFICATION and SURVEILLANCE SERVICES TRADE.CO

Address: Necip Fazil Bulvari Keyap sitesi E2 Blok NO: 44/84 Yukari Dudullu Umraniye, Istanbul/TURKEY

Identification number: 2163-PPE-772

**7.Conformity Assessment Route:**

Based on the Annex V:EU type-examination (Module B) and the Annex VII:

Conformity to type based on internal production control plus supervised production checks at random Intervals (Module C2)

**8. ( EC ) Certificate(s)**

Place and Date of issue: Shenzhen, Guangdong, China. 2020.6.20

Signature:

Name :Bob Tsai Position: General Manager

